

# 5-In-1 Emergency Car Tool With Portable Power Bank

## To Use the Auto Glass Breaker:

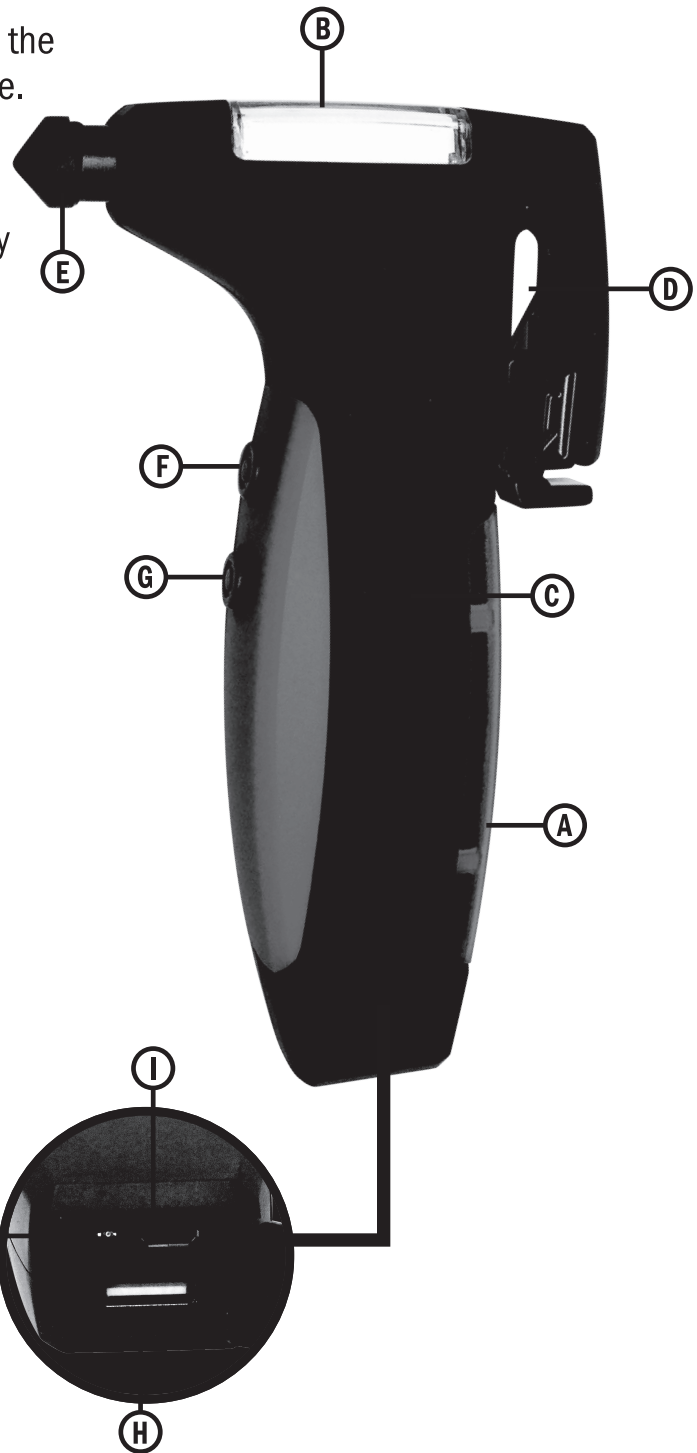
In an emergency situation, shatter a window of the vehicle by hitting it with the auto glass-breaking tip of the Car Emergency Tool. Remove the tip guard prior to use.

## To Use the Seat Belt Cutter:

In an emergency situation, remove the blade guard by pulling it straight down and place the outer edge of the seatbelt into the blade chamber. Grasp the seatbelt and the tool firmly and pull the tool quickly across the seat belt to cut it completely.

## Includes mini USB cable for charging.

- A. SOS Flashing Light
- B. LED Flashlight
- C. Belt/Visor Clip
- D. Seat Belt Cutter
- E. Auto Glass Breaker
- F. SOS Flashing Light Button
- G. LED Flashlight Button
- H. USB Input
- I. Micro USB Charging Port
- J. LED Charging Indicator



## TO CHARGE EMERGENCY CAR TOOL:

Plug the supplied charging cord into the micro USB charging port (I). The LED charging indicator (J) will light up, indicating the tool is charging. When the LED charging indicator turns off, the tool is fully charged.

## SPECIFICATIONS

**Capacity:** 2,200mAh

**Input/Output:** 5V/1A

**Safeguards:** Input Over-Voltage Protection, Battery Over-Charge Protection, Over-Discharge Protection , Output Over-Voltage Protection, Short-Circuit Protection, Over-Current Protection